



A HOUSE OF CONVEYOR & CHEVRON BELT



(AN ISO 9001:2015 CERTIFIED COMPANY)

JK Conveyor and Transmission Co.

JK CONVEYOR & TRANSMISSION CO. is one of the leading organizations engaged in the field of **Industrial Conveyor belts**. Situated at **Kapurthala (pb) India**, we have recorded a positive growth and trajectory of success under the supervision of High Tech Team. Due to years of experience in the industrial field we offer superior range of products which fulfill the requirements of various industries.

Our range includes- Conveyor belt, Rough top belt, Chevron belt, Conveyor accessories, Fertilizer grade belt, Foundry grade belt, Side wall conveyor belt, Industrial adhesive, Pully lagging rubber sheet (Diamond profile), etc. (Belt width range 400 mm - 2400 mm)

Contact Us Today

S.NO.-06, Shahdeep Baba Deep Singh Nagar, Kapurthala-144601 (PB)

info@jkconveyor.com , jkconbelts@gmail.com ,

+91-7589493846, +91-98721-46801

www.jkconveyor.com

www.jkconveyor.com

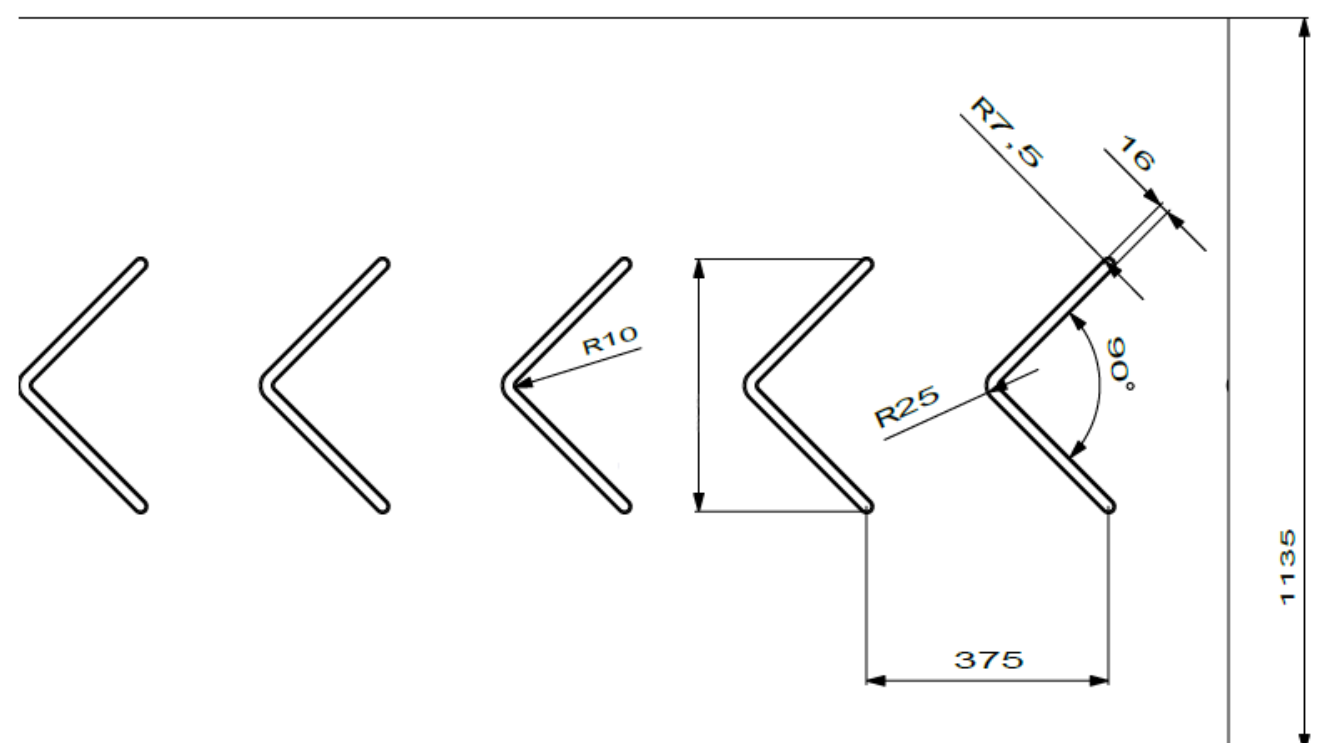
JKON Technical sheet for Chevron Belt



we also offer's **CHEVRON CONVEYOR BELT** which is been used to convey material to a certain height at an inclination of **35-45 degree** to avoid the possibility of roll back of the material. There are mostly 2 type of chevron belt's conveyor belt, i.e, the **v-type** and the **u-type**. the groove profile of chevron belt's ranges **15mm-25mm high**. The profile are manufactured in a such shapes that there is no need of any special idler's. Profile are manufactured in a such shapes that there is no need of any special idler's. Profile are made of highly abresion resistance and elastic rubber compound's.

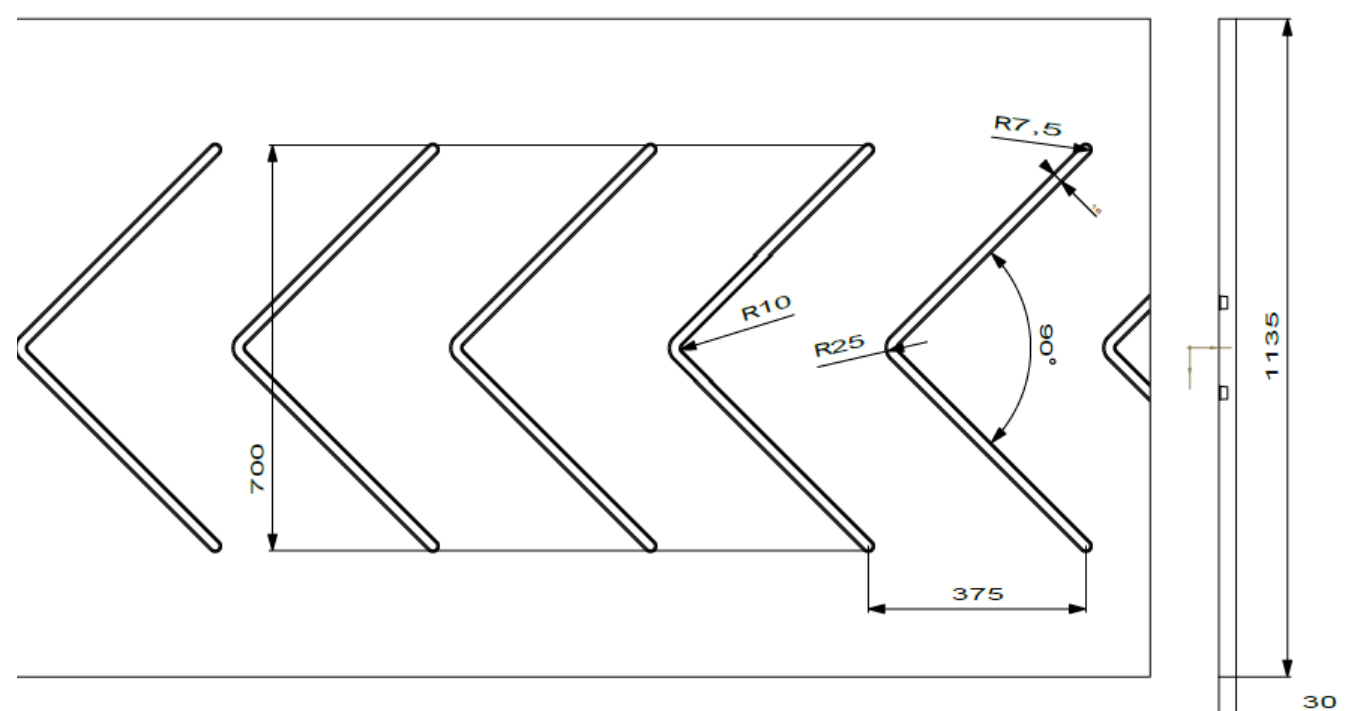
C-15-TYPE-CV 390

BELT WIDTH= 500-700 MM
 CLEAT WIDTH= 390 MM
 CLEAT HEIGHT= 15 MM
 CLEAT PITCH = 375 MM



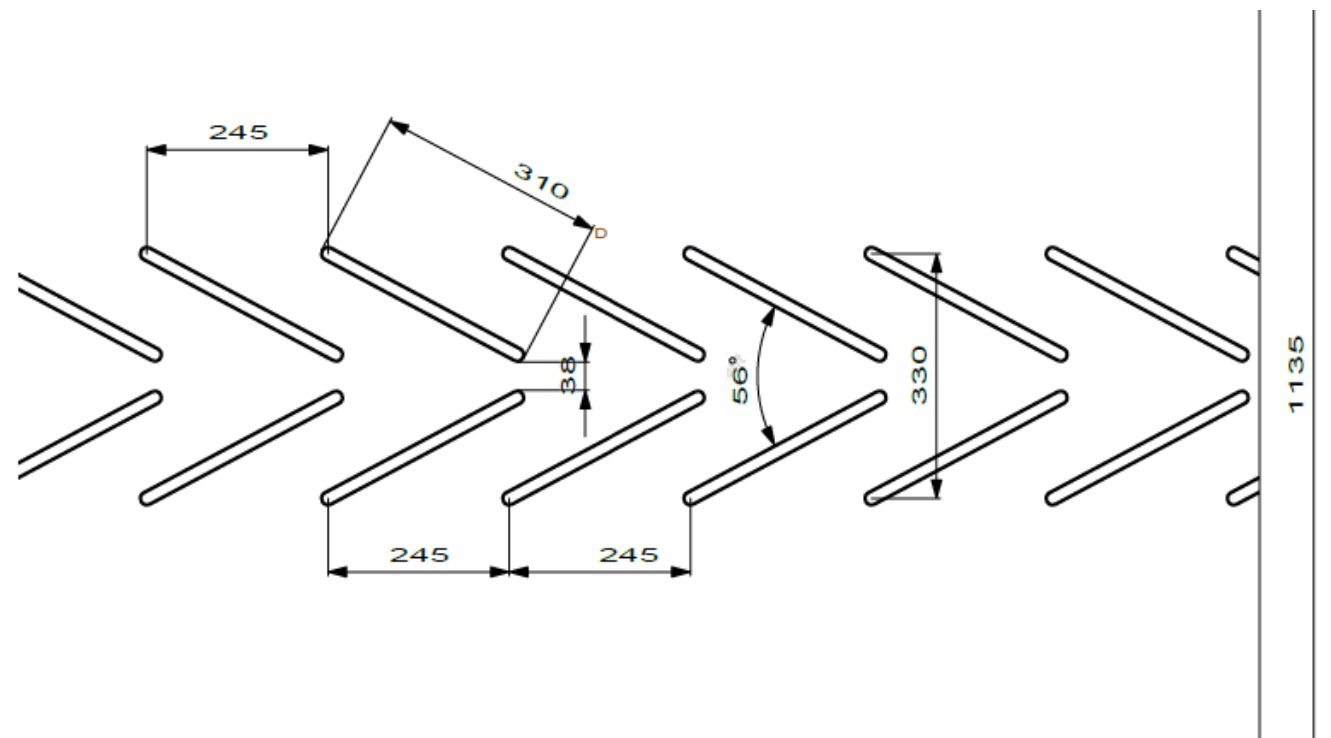
C-15 -TYPE-CV-700

BELT WIDTH= 800-1000 MM
 CLEAT WIDTH= 700 MM
 CLEAT HEIGHT= 15 MM
 CLEAT PITCH = 375 MM



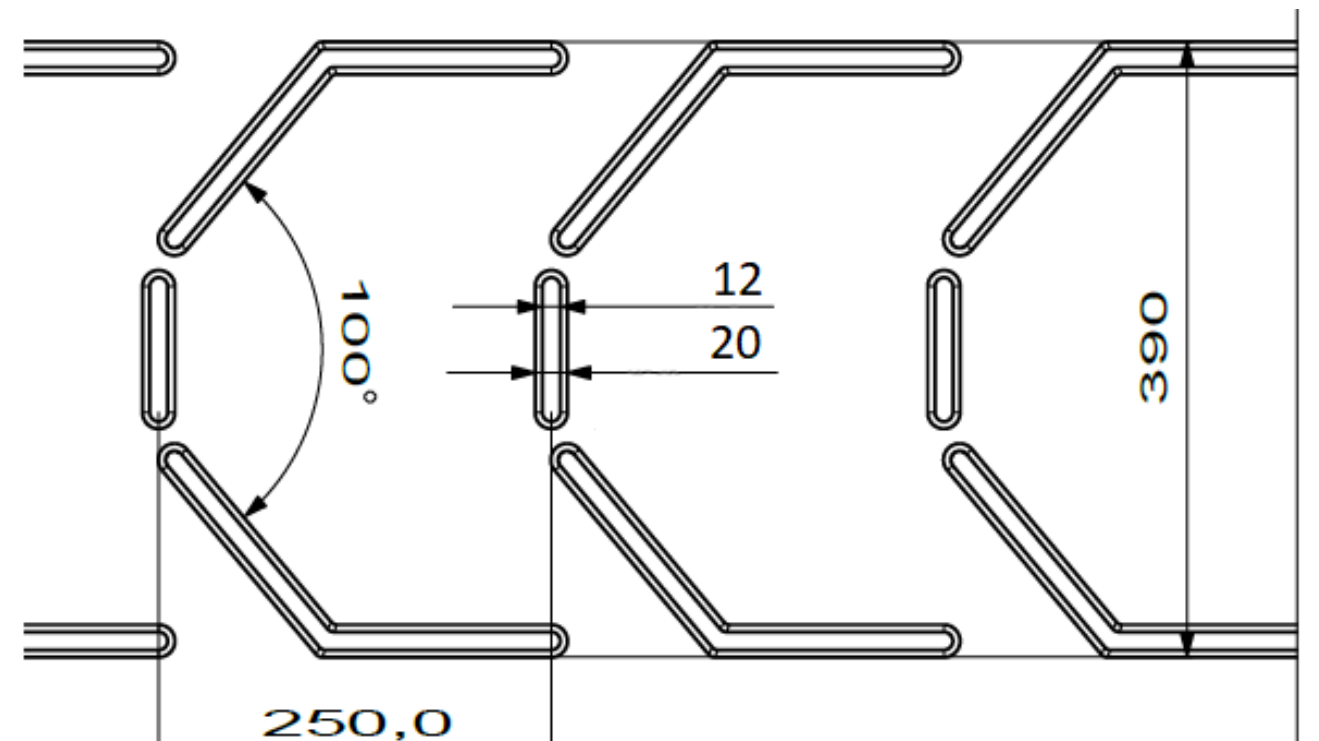
C-15 TYPE O-V 330

BELT WIDTH= 500-700 MM
 CLEAT WIDTH= 330 MM
 CLEAT HEIGHT= 15 MM
 CLEAT PITCH = 245 MM



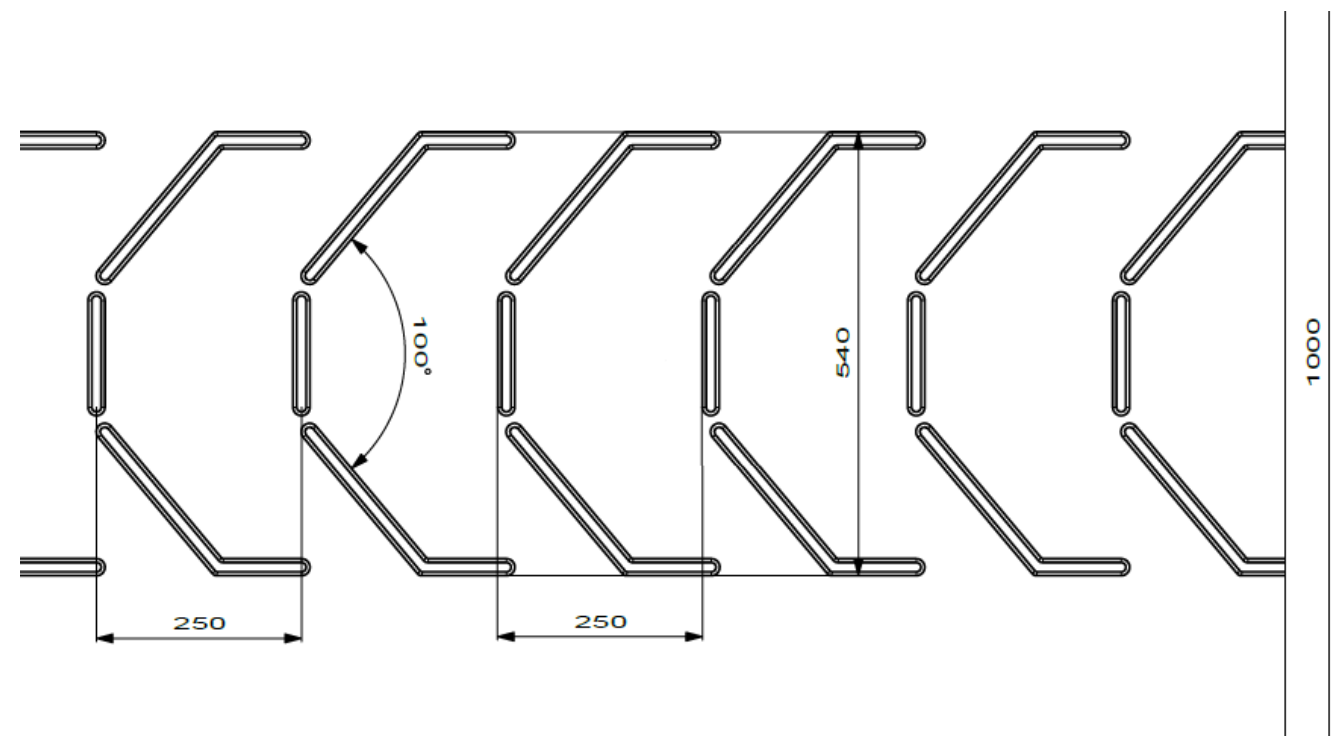
C-18 TYPE OBH 390

BELT WIDTH= 450-600 MM
 CLEAT WIDTH= 390 MM
 CLEAT HEIGHT= 18 MM
 CLEAT PITCH = 250 MM



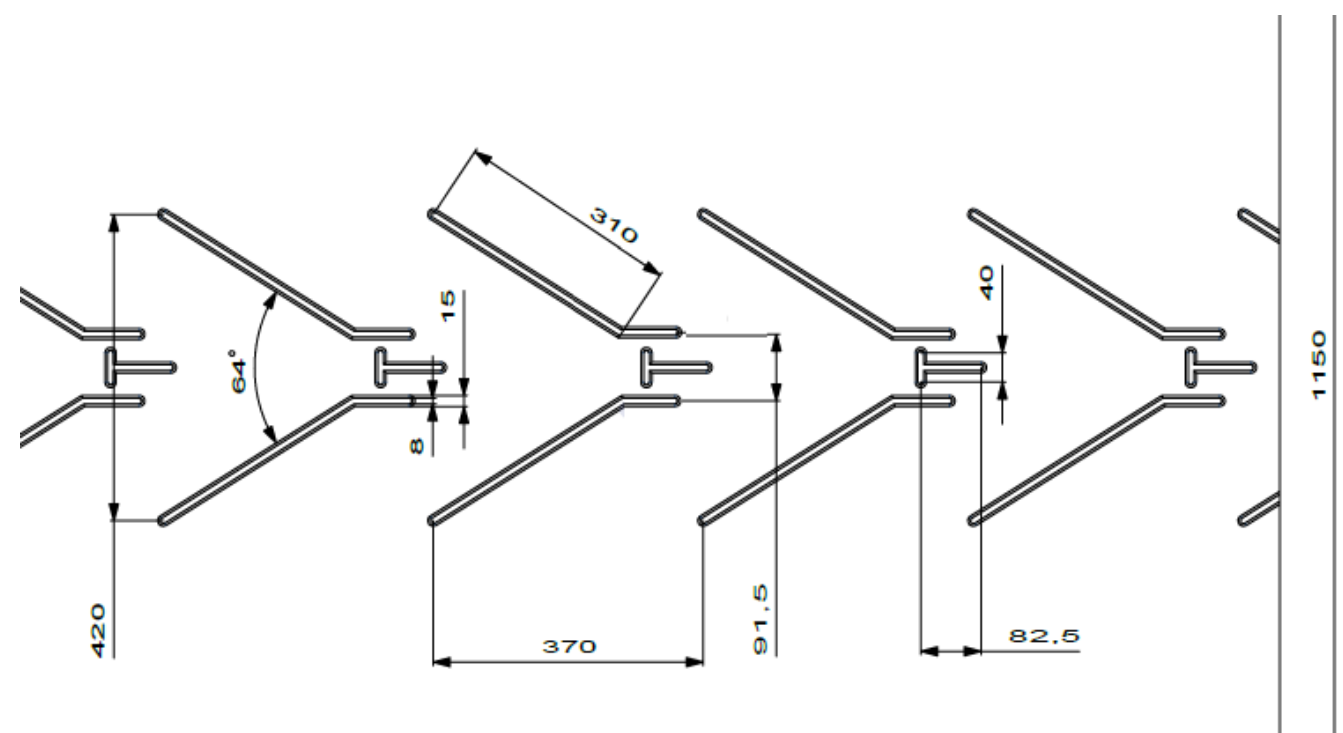
C-18 TYPE- OBH 540

BELT WIDTH= 650-1000 MM
 CLEAT WIDTH= 540 MM
 CLEAT HEIGHT= 18 MM
 CLEAT PITCH = 250 MM



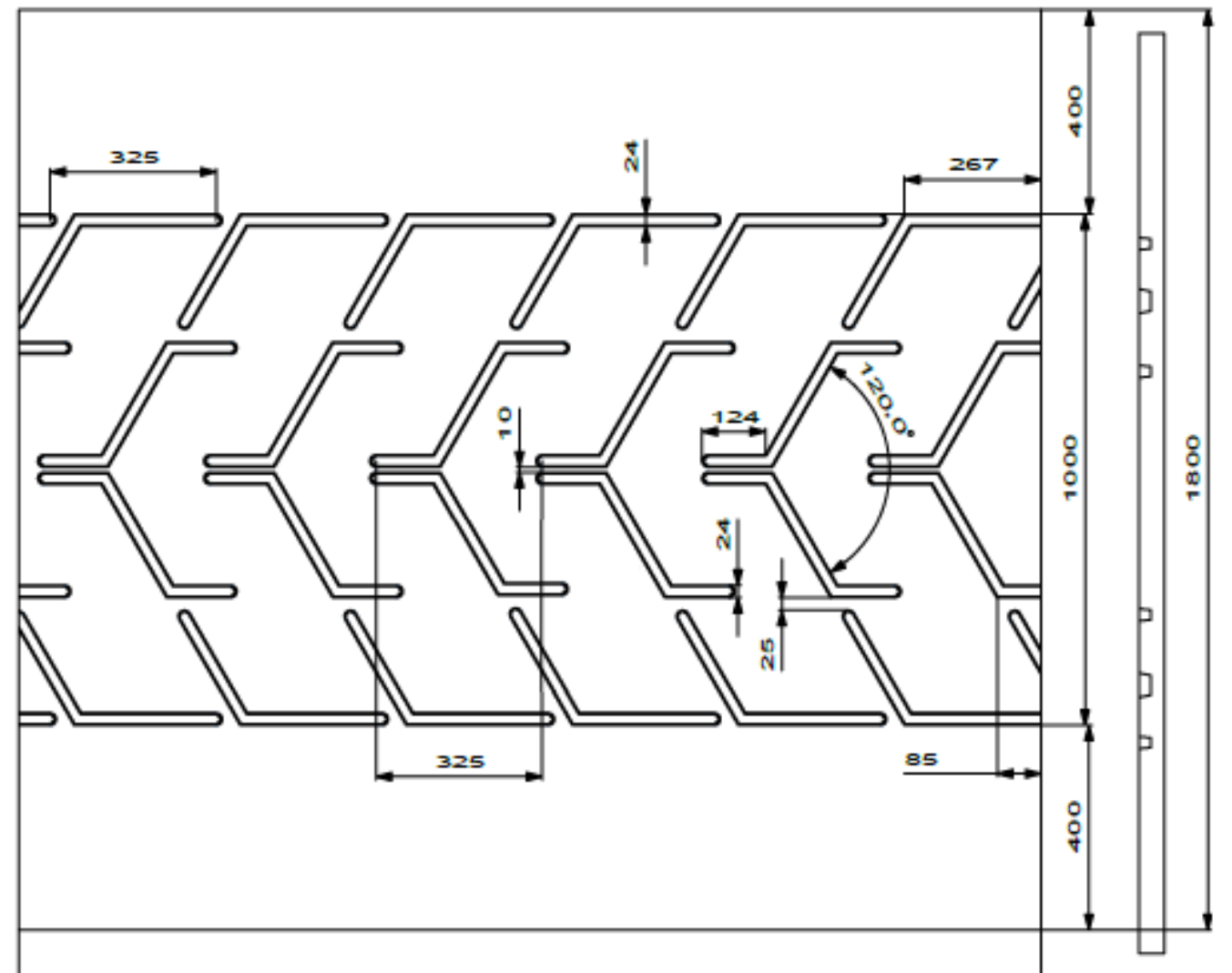
C-20-TYPE-VT-420

BELT WIDTH= 500-1000 MM
 CLEAT WIDTH= 420 MM
 CLEAT HEIGHT= 20 MM
 CLEAT PITCH = 370 MM



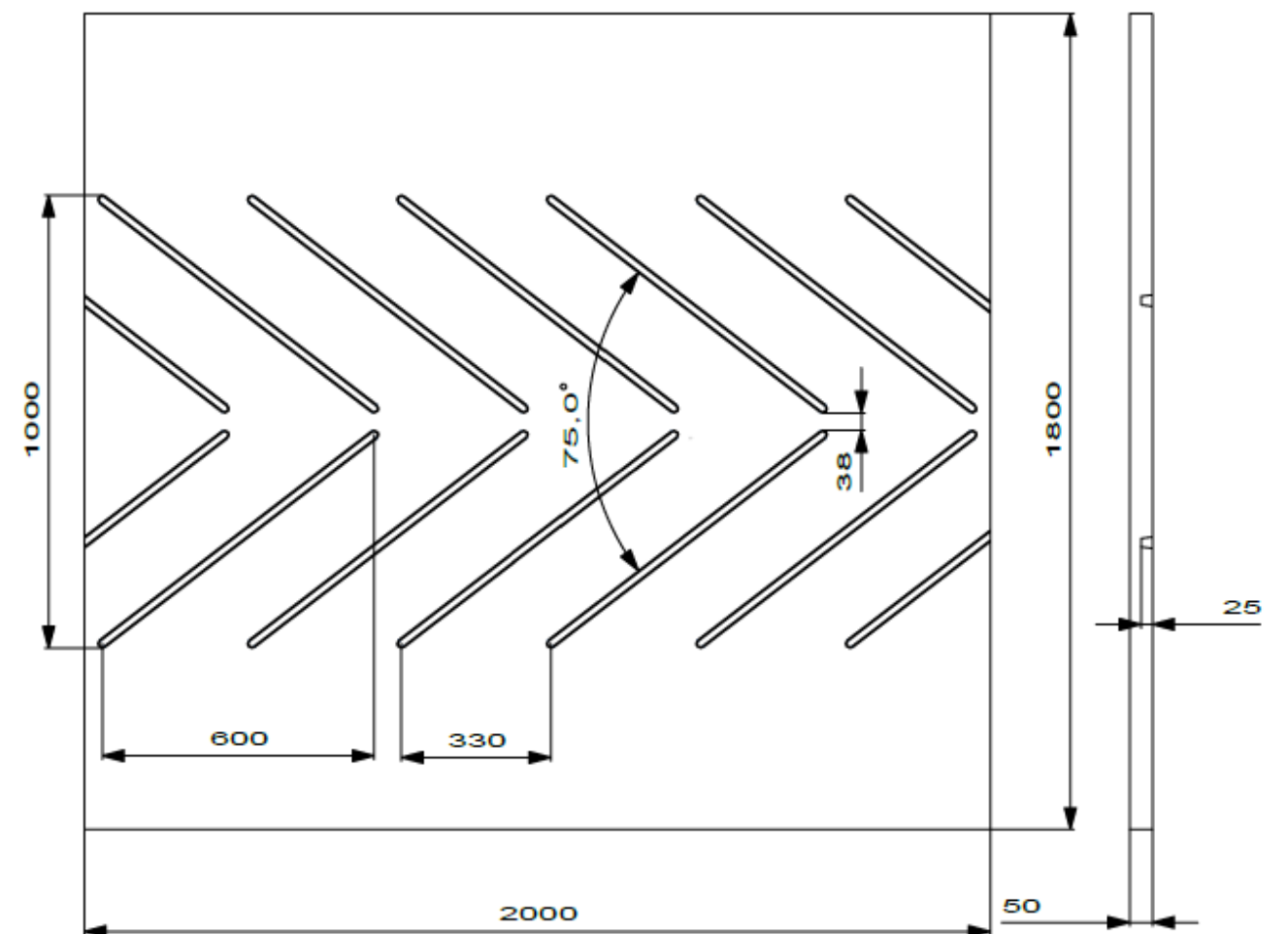
C-24- TYPE-Y 1000

BELT WIDTH= 1100-1600 MM
 CLEAT WIDTH= 1000 MM
 CLEAT HEIGHT= 24 MM
 CLEAT PITCH = 325 MM



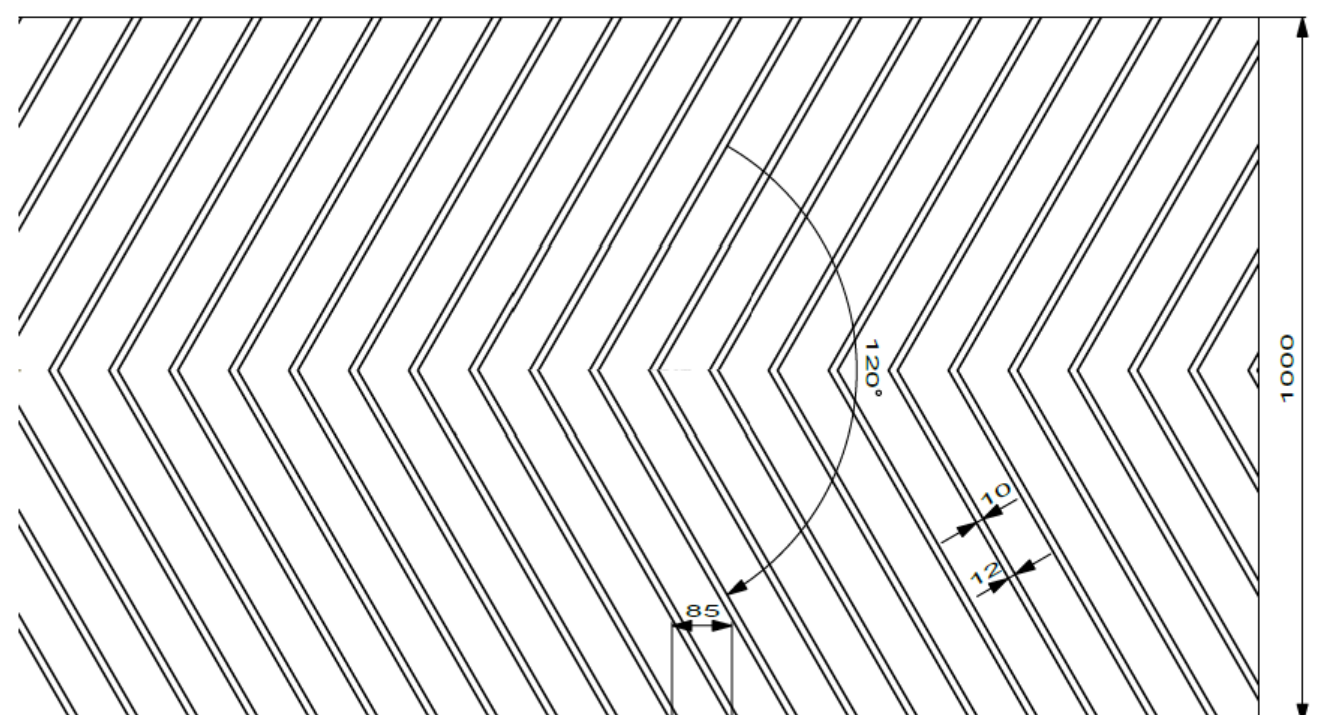
C-25-TYPE OV 1000

BELT WIDTH= 1100-1600 MM
 CLEAT WIDTH= 1000 MM
 CLEAT HEIGHT= 25 MM
 CLEAT PITCH = 330 MM



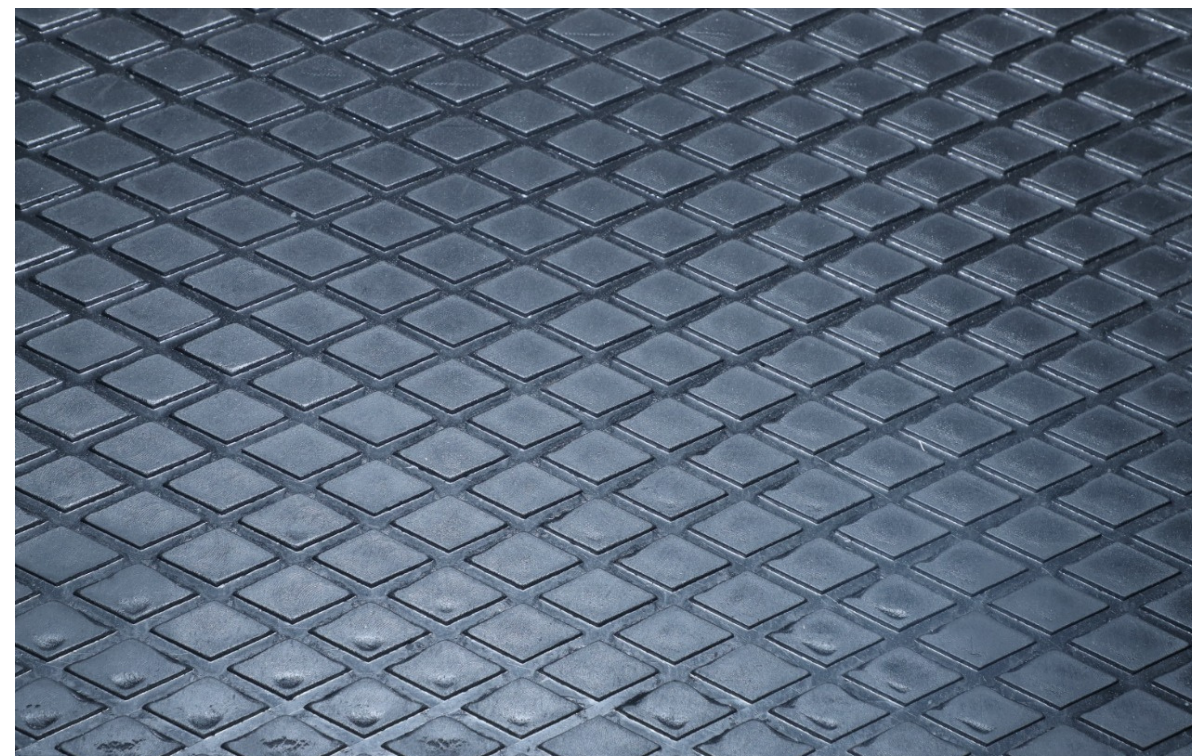
C-5 TYPE CLOSED V 1000

BELT WIDTH= 500-1000 MM
 CLEAT WIDTH= 1000 MM
 CLEAT HEIGHT= 5.0 MM
 CLEAT PITCH = 85 MM



DIAMOND RUBBER PULLY LAGGING

RUBBER SHEETS are specially made sheet of best quality raw material and are widely used all across various industries. Rubber sheet are used for pulley laggings over the pulleys so as to avoid slippage of belts. Pulley lagging is done best of the skilled worker with perfection which will reduce the chances of slippage of belts from the pulley.



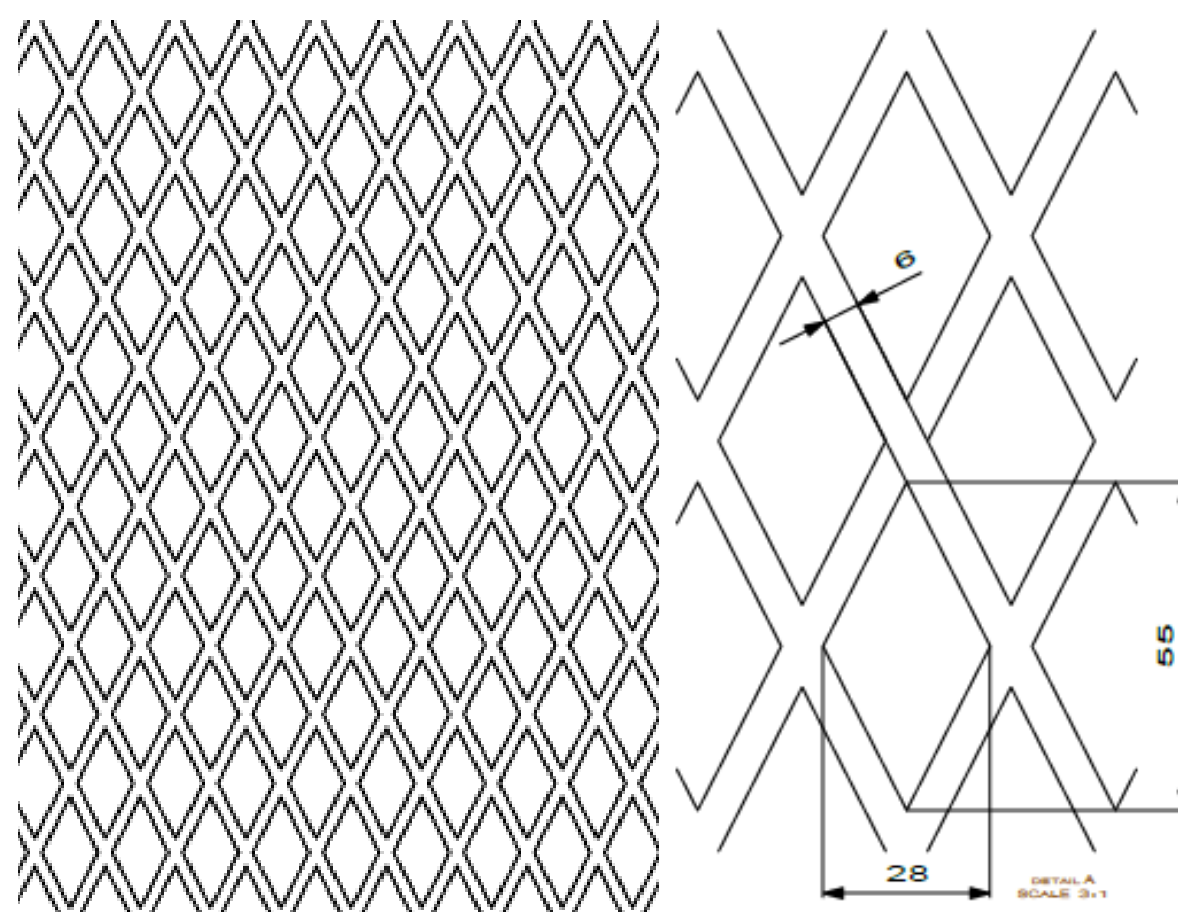
DIAMOND RUBBER PULLY LAGGING

MOLD WIDTH= 1800 MM

MOLD LENGTH= 2000 MM

DAIMOND CUT HEIGHT = 5.0 MM

*EFFECTIVE LAGGING WIDTH UPTO 1600 MM



PACKING PLANT BELTS

we offer "JKON" make special rough top & wave top conveyor belts for packing plants for cement bag, fertilizer bags & cardboard box ets. handling.

